

# Vulcan

## MINI PROPOOL UV

# Installation & Operating Manual

V-PP1-30



ENGLISH

## CONTENTS

<b>IMPORTANT NOTES</b> .....	<b>3</b>
<b>1. IMPORTANT SAFETY INSTRUCTIONS</b> .....	<b>3</b>
<b>2. PRODUCT OVERVIEW</b> .....	<b>4</b>
<b>3. GENERAL INSTALLATION INSTRUCTION</b> .....	<b>5</b>
3.1 Mounting instructions .....	5
3.2 Pipe work .....	6
3.3 Flow direction .....	6
3.4 Connection .....	7
3.6 Electrical connection .....	8
<b>4. OPERATING INSTRUCTIONS</b> .....	<b>8</b>
4.1 Flow requirements .....	8
4.2 Water quality.....	9
<b>5. MAINTENANCE</b> .....	<b>9</b>
5.1 Essential parts to carry out annual maintenance including our reference codes. ....	9
5.2 Lamp replacement and quartz sleeve cleaning .....	10
<b>6. DISPOSAL OF ELECTRICAL/ELECTRONIC EQUIPMENT</b> .....	<b>12</b>
<b>7. WARRANTY</b> .....	<b>13</b>

## IMPORTANT NOTES

Thank you for purchasing the MINI PROPOOL UV pool sanitising system, the latest in high reflection UV technology, manufactured to the highest standards in England.

To ensure years of trouble-free service, please read and follow these instructions for proper installation, maintenance and use. **Incorrect installation will affect your warranty.**

***Please retain this manual for future reference.***

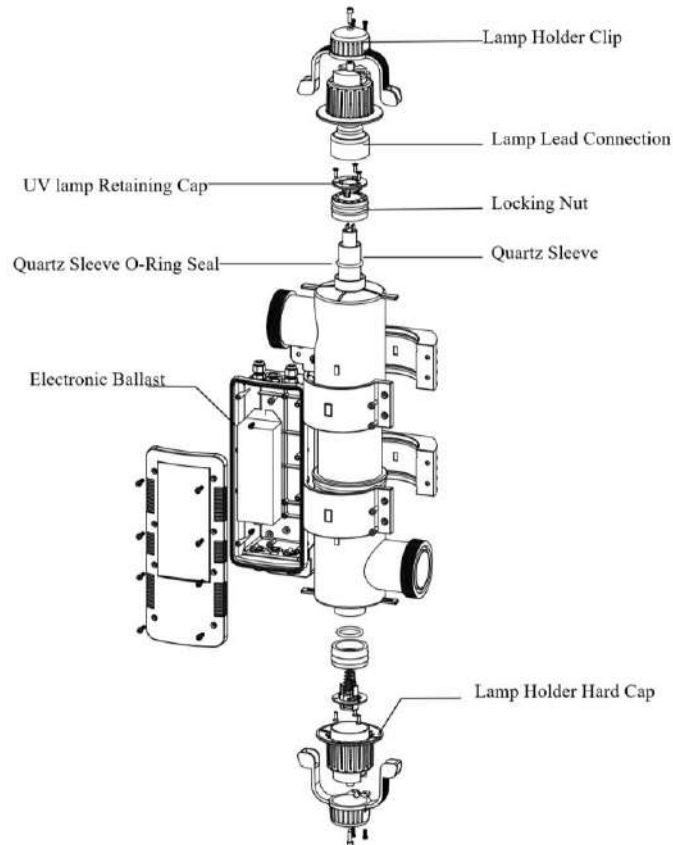
### 1. IMPORTANT SAFETY INSTRUCTIONS

#### WARNINGS:

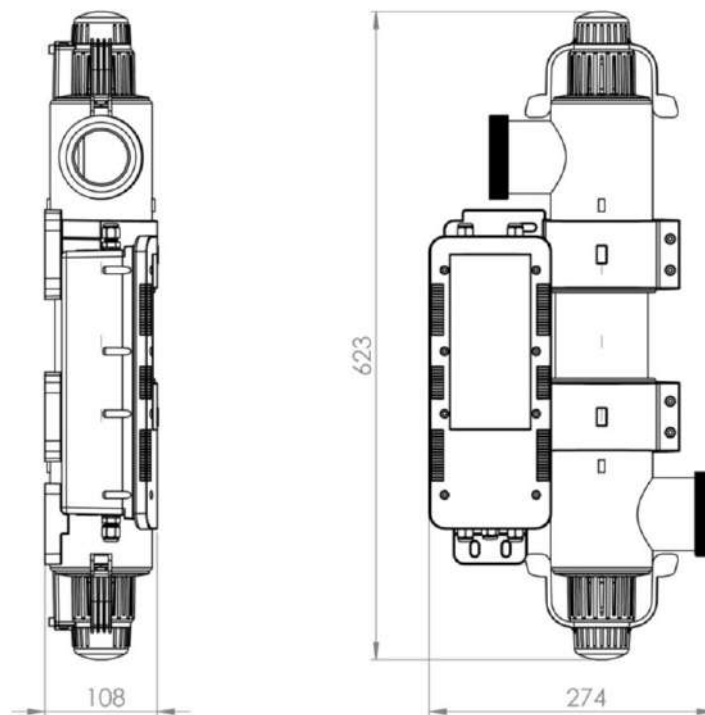
- Read the maintenance instructions before opening the appliance.
- Do not operate the ultraviolet-C emitter when it is removed from the appliance enclosure.
- Unintended use of the appliance or damage to the housing may result in the escape of dangerous ultraviolet-C radiation. ultraviolet-C radiation may, even in little doses, cause harm to the eyes and skin.
- This unit must be earthed.
- Power must be supplied through a Residual Current Device (RCD) with a rated residual operating current not exceeding 30mA
- Do not run this unit dry
- Do not cover this unit
- The unit must not be submerged in water
- Carefully examine the unit after installation. It should not be powered on if there is water on any parts not intended to be wet
- If the unit shows any sign of water leakage immediately disconnect power supply
- If the quartz sleeve is cracked, replace it immediately
- To avoid injuries young children should never be allowed near UV steriliser
- Failure to disconnect the power from the UV steriliser and pump before servicing or maintenance could result in personal injury or property damage.
- If supply cord is damaged it must be replaced by the manufacturer, its service agent or qualified person to avoid a hazard. Supply cord must be secured inside enclosure with cable tie to prevent sliding.

## 2. PRODUCT OVERVIEW

The MINI PROPOOL UV is available in 30W single tube format.



### Dimensions:



### 3. GENERAL INSTALLATION INSTRUCTION

#### 3.1 Mounting instructions

The device should be either installed horizontally or vertically allowing enough space for the pipe connections, wiring and maintenance of lamps/quartz sleeve(s). It should be firmly secured, using the fixing kit provided, to a solid wall.

**NOTE:** *When mounting the UV, it is essential to leave a clearance space of at least 1 metre from one side of the unit to allow access to replace the lamp(s) and/or quartz sleeve(s) when required. Both the lamps and the quartz sleeve can be replaced from either end of the unit; if installing vertically the 1m clearance space must be above or below the unit, if installing horizontally the 1m clearance space must be to the left or right of the unit.*

**WARNING:** The device must be installed within a dry, permanent weather-proof area. In any case where water or moisture enters the enclosure the warranty will be void.

**Caution:** *If the device is unused during the winter months, it **must be** drained to prevent frost damage. Water **must not** be allowed to freeze inside the unit as this will cause severe damage.*

See Fig. 3 for mounting instructions when securing to the wall or floor.

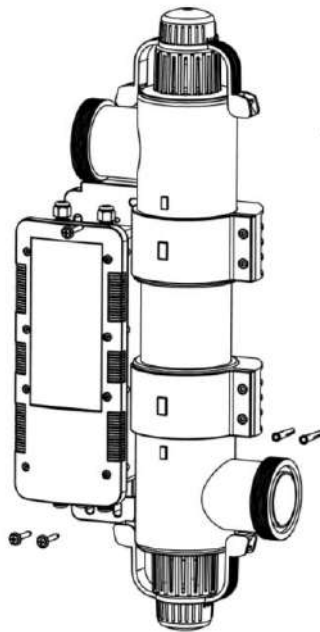


Fig.3

### 3.2 Pipe work

The device should be placed downstream (after) of any pumps, filters and heating devices but upstream (before) of any chemical dosing or similar water treatment (see Figs. 4 ).

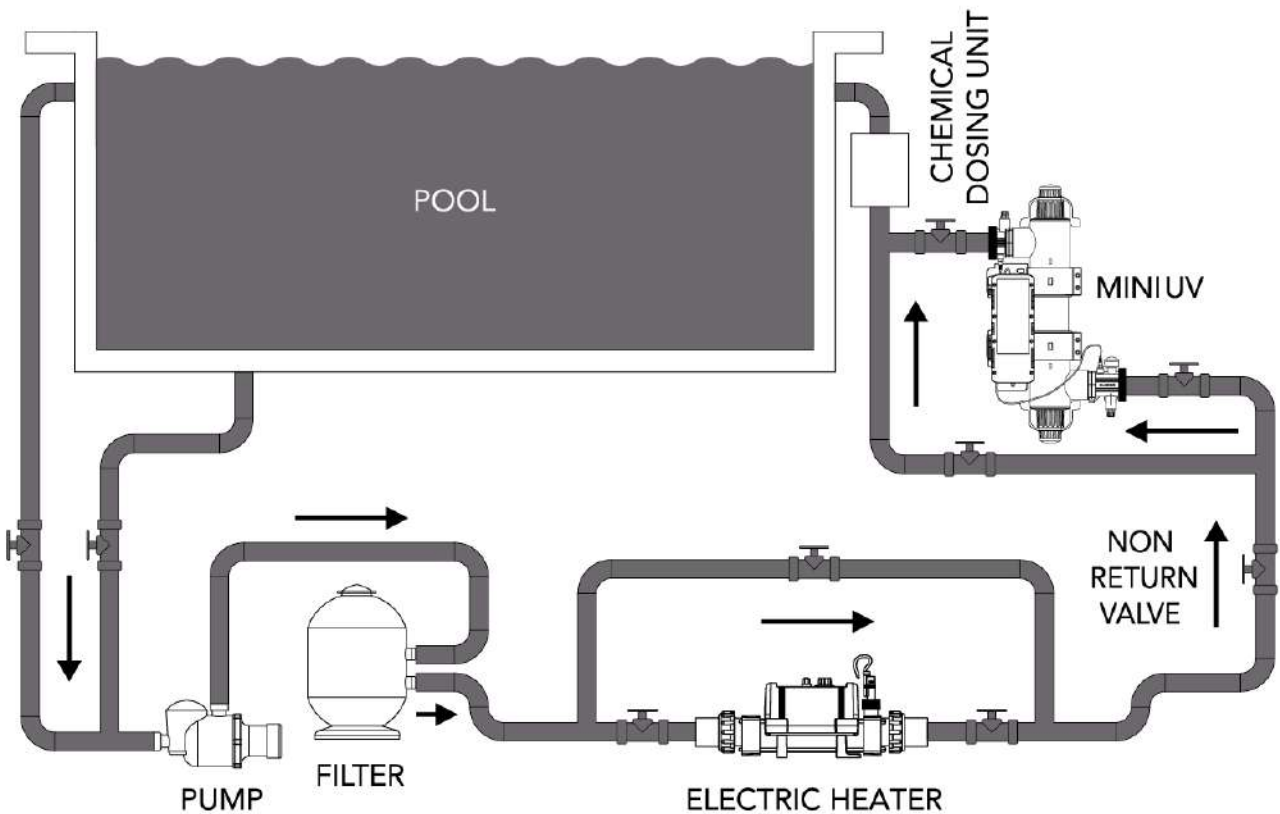
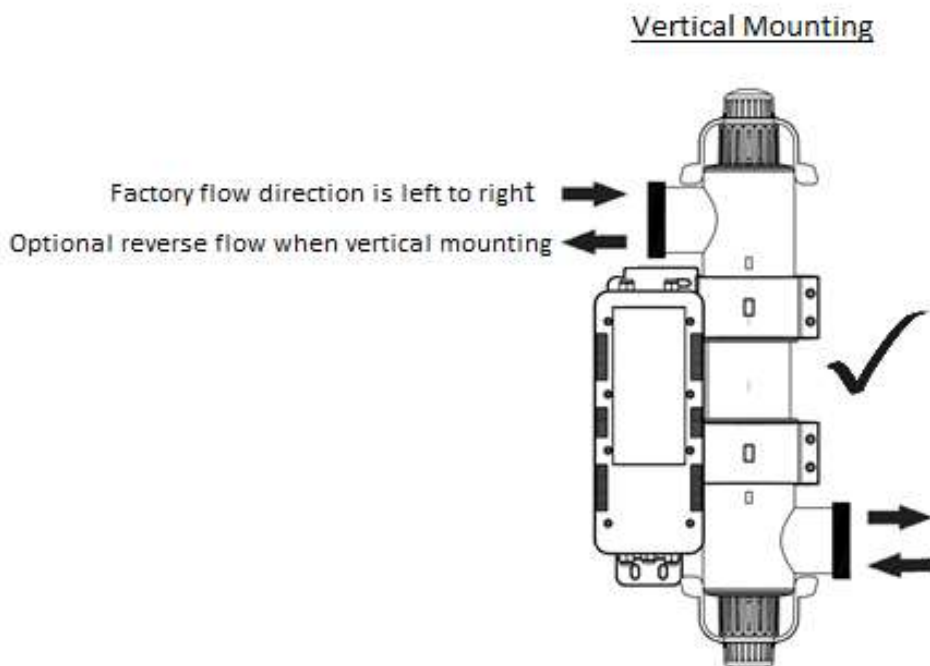


Fig. 4

### 3.3 Flow direction

The device is factory set to accept input water flow entering on the left and exiting on the right, this can be reversed by rotating the flow switch 180 degrees (i.e. ½ turn - see Fig. 6).



## Horizontal Mounting

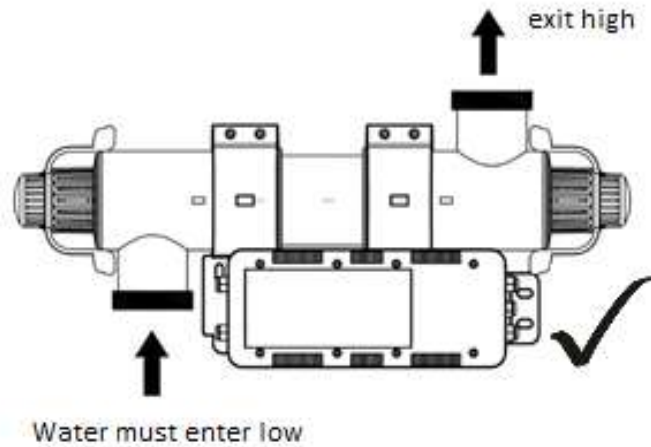
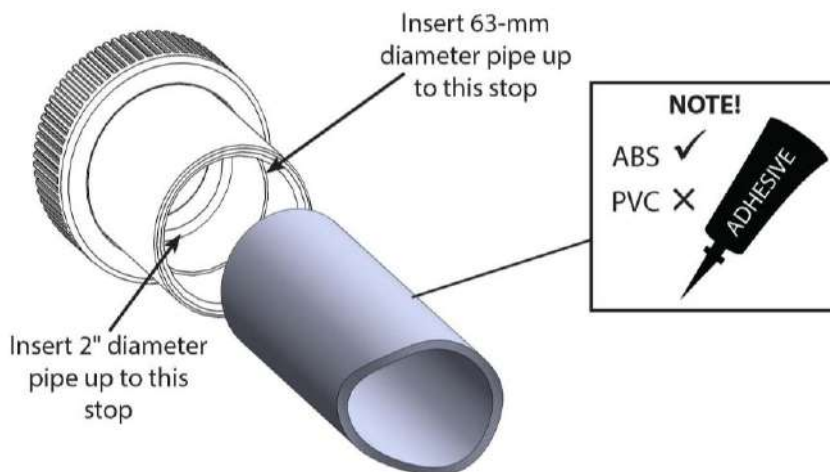


Fig. 6

### 3.4 Connection

The unit is supplied with unions to allow connection to 2" or 63-mm rigid pipe. Reducers are also supplied to allow connection to 50-mm or 1½" rigid pipe - see Fig 7.

For pipework 63-mm or 2" in diameter.



For pipework 50-mm or 1½" in diameter.

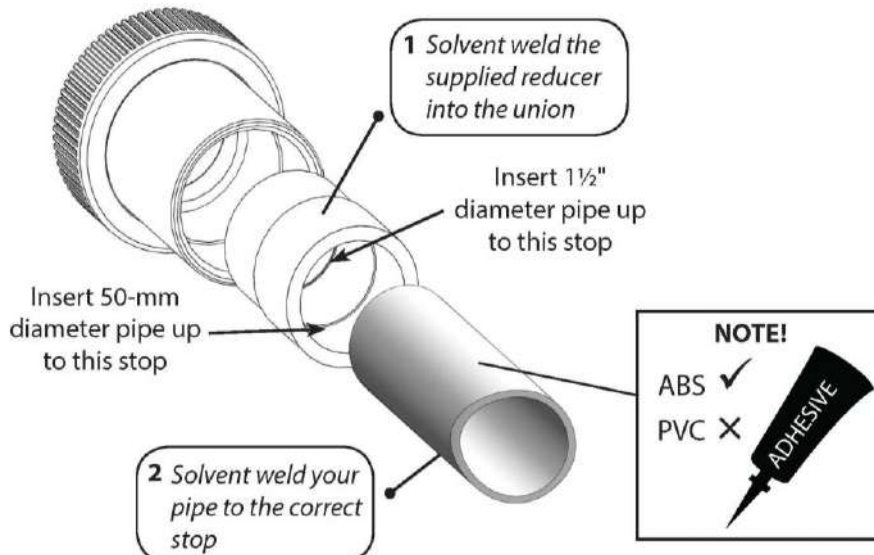


Fig. 7

All factory unions are made from ABS plastic, when gluing connections to an ABS pipe an ABS cement must be used or when using a PVC pipe, a Transition cement must be used (See Fig. 7).

There is no need to use mastic or PTFE tape to connect unions to the device, use the O-rings provided to put in the groove on the end of the Manifold Assembly.

**NOTE:** *Be sure to apply the glue evenly and to all surfaces that will be in contact to reduce the risk of leakage.*

### 3.6 Electrical connection

- WARNINGS:**
- This device must be installed by a qualified Electrician following the instructions provided in this manual. The manufacturer will not be liable for any issues caused by poor or improper installation.
  - Any alterations made to the unit (unless stated) will affect the warranty. This also applies if components are changed for non-standard components acquired anywhere other than direct from the manufacturer.
  - Incorrect installation may result in serious damage to property/persons.
  - The device must be installed in accordance with the country/regional requirements and regulations and an Electrical Installation Certificate must be provided on completion of the installation.
  - The power supply must be fitted with a 30mA RCD.
  - Never look directly at an illuminated UV lamp.

- WARNINGS:**
- This device must be installed by a qualified Electrician following the instructions provided in this manual. The manufacturer will not be liable for any issues caused by poor or improper installation.
  - Any alterations made to the unit (unless stated) will affect the warranty. This also applies if components are changed for non-standard components acquired anywhere other than direct from the manufacturer.
  - Incorrect installation may result in serious damage to property/persons.
  - The device must be installed in accordance with the country/regional requirements and regulations and an Electrical Installation Certificate must be provided on completion of the installation.
  - The power supply must be fitted with a 30mA RCD.
  - Never look directly at an illuminated UV lamp.

## 4. OPERATING INSTRUCTIONS

### 4.1 Flow requirements

**Minimum flow rate:**

- 1m<sup>3</sup>/hour (1,000 litres per hour)

**Maximum flow rate:**

- 30W (Mini) = 12m<sup>3</sup>/hour (12,000 litres per hour)
- A higher flow rate will require the installation of a bypass to prevent damage to the unit

The unit should be wired in such a way that it can only be energised when the swimming pool filtration pump is energised and running, under no circumstances should the UV unit be energised without flowing water being present. Note: This is best achieved by wiring the MINI PROPOOL UV unit into the output side of the filtration pump contactor.



## 4.2 Water quality

The water quality MUST be within the following limits:

- PH: 6.8 – 8.0
- Total Alkalinity (TA): 80 – 140 ppm (parts per million)
- Chloride Content MAX: 150 mg/litre
- Free Chlorine: 2.0 mg/litre
- Total Bromine: Max 4.5 mg/litre
  
- Total Dissolved Solids (TDS)/Calcium hardness: 200 – 1,000 ppm

**WARNING:** Failure to meet the water quality limits will void the warranty.

Upon completion of the installation, run the water-circulating pump to purge the system and heater of air (i.e. remove any trapped air in the system).

## 5. MAINTENANCE

To avoid any water leaks and optimum performance annual maintenance of the UV steriliser is essential. Failure to do so could result in damage to the product and significant drop in efficiency.

### Annual maintenance includes:

- Changing of lamps(s) if necessary. Fig. 8.
- Inspection and cleaning of quartz sleeve. Replace if any cracks are discovered. Fig. 9.
- Replacing all O-rings. Fig. 10.
- Replacing lamp connectors (white plastic insert inside the blue bulb cap) if corroded, wet, damaged or overheated. Fig. 11.

### 5.1 Essential parts to carry out annual maintenance including our reference codes.

**WARNING:** Before performing any maintenance isolate from the main power supply, turn off circulation pump and drain the unit.

SP-UV-LAMP-30



Fig. 8

SP-UV-QS-30



Fig. 9

SP-UV-ORS

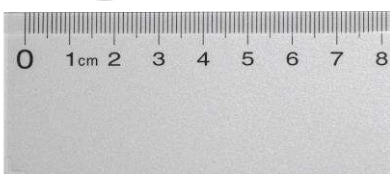


Fig. 10

## 5.2 Lamp replacement and quartz sleeve cleaning

### Removing the lamp and quartz sleeve



Unscrew all the highlighted fasteners



Unclamping the clip from body

1. Pull the clip in shown direction to unlock from body
2. Pull the second side after unlocking the 1<sup>st</sup> side



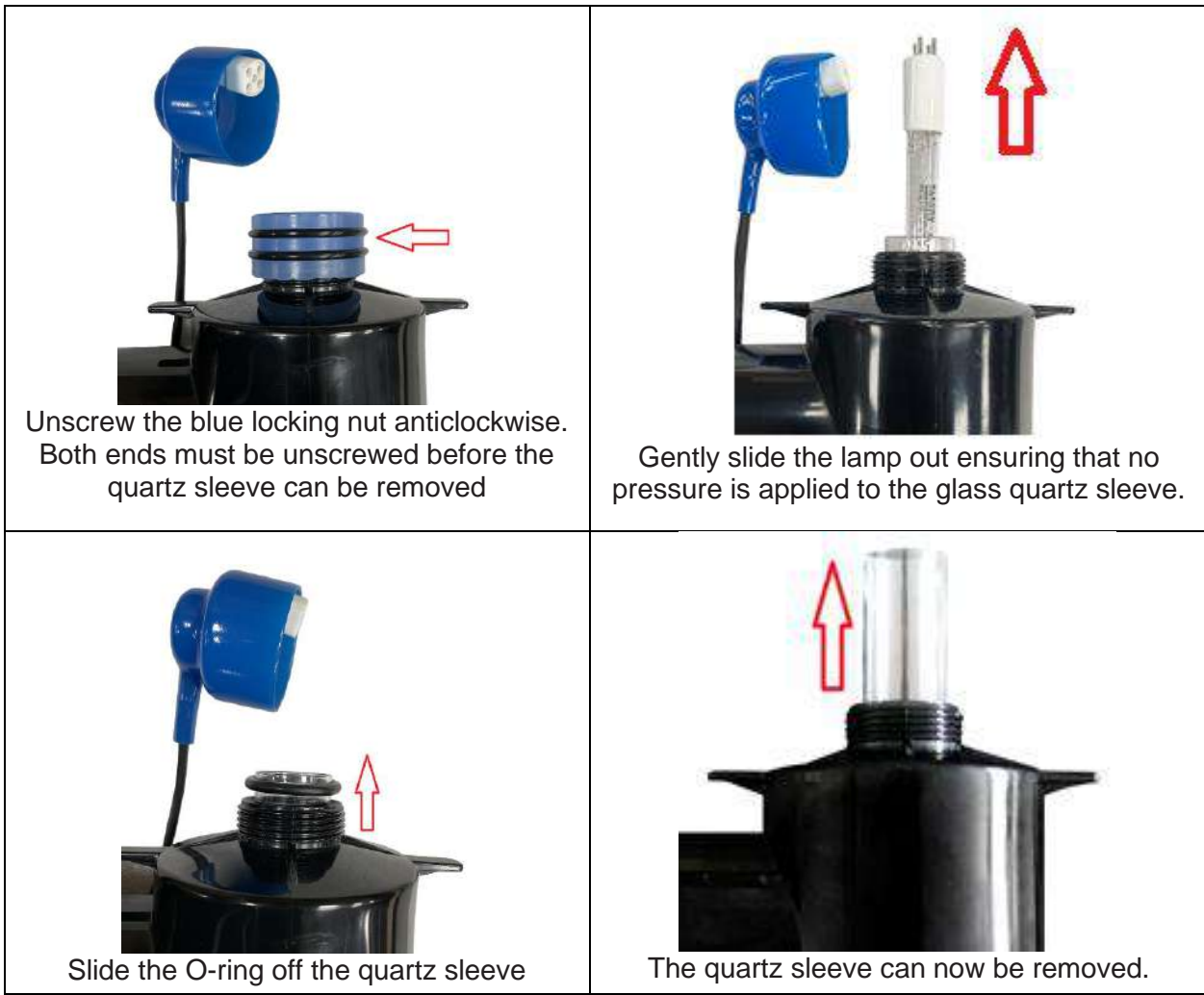
Remove Lamp holder Clip from Hard cap



Unmount the Hard cap from Blue lamp Holder



Carefully remove the blue lamp holder shroud and white ceramic electrical end caps from the lamp end



### Cleaning the quartz sleeve

Clean the sleeve and polish with a soft cloth or paper towel.

If you live in a hard water area there may be some limescale on the quartz sleeve. This can be easily removed by soaking the sleeve in a proprietary kettle descaling solution (follow the manufacturer's instructions).

**NOTE:** Failure to remove the limescale will limit the effectiveness of the UV lamp(s).

### Assembly process

- Firstly, slide the clean dry quartz glass sleeve into the unit.
- Locate the 'O' rings carefully on the ends of the quartz sleeve.
- Make sure the threads are clean, wipe a little silicone grease onto the threads. As these threads are only serviced periodically, this lubrication will help to prevent them binding together.
- Hand tighten the blue quartz sleeve locking nuts onto the unit. Be sure not to overtighten as this can damage the quartz sleeve.
- Replace the UV lamp(s) with a new one(s) and reconnect blue lamp holders.

**NOTE:** To avoid bending the lamp pins during the reassembly, pull the plastic fitting out of the shroud. Connect it to the lamp and push the shroud back in to place.



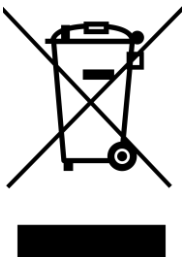
**NOTE:** *Pinch the blue lamp holder shroud as you reassemble the unit to release any trapped air. Failure to release the trapped air may cause the lamp holder to disconnect from the lamp end. Turn on the water supply to check for leaks **before** reconnecting the electric supply.*

**Important:** The plastic body and blue compression fittings have been manufactured from polymers that have been specifically stabilised to protect them from the effects of the UVC emitted from the UV lamps. Despite this UV protection they will be eroded by a combination of the UVC and water flow. As a matter of course they should be inspected whenever a lamp change is carried out, to ensure they are not showing excessive wear and tear. Replacement parts are available.

## 6. DISPOSAL OF ELECTRICAL/ELECTRONIC EQUIPMENT

**DO NOT dispose of this product as an unsorted municipal waste.**

This symbol on the product or on the packaging indicates that this product should not be treated as household waste. Instead it should be handed over to the applicable collection point for the recycling of electrical and electronic equipment.



By ensuring this product is disposed of correctly you will help prevent potential negative consequences for the environment and human health, which could otherwise be caused by inappropriate waste handling of this product. The recycling of materials will help to conserve natural resources.

For more information please contact your local Civic Office, household waste disposal service or the retailer where the product was purchased.

## 7. WARRANTY

**This product is guaranteed from the date of purchase against faulty workmanship and materials for:**

- **two years within Europe**
- **one year outside Europe**
  
- The manufacturer will replace or repair, at its discretion, any faulty units or components returned to the Company for inspection.
- Proof of purchase may be required.
- The manufacturer will not be liable in cases of incorrect installation of the product, inappropriate use or neglect.
- Any damages occurred due to shipping must be reported within 48 hours of receipt of the product. Any claims after this time will be considered as misuse or abuse of the product and will not be covered by the warranty.
- The guarantee does not include serviceable parts, i.e. lamps, quartz sleeves and O-rings, etc.



**Vulcan Pools Ltd  
Repairs Department  
Unit 11 Gunnels Wood Park  
Gunnels Wood Road  
Stevenage  
Hertfordshire SG1 2BH  
United Kingdom**

---

**Customer Information: (ATTACH TO THE PRODUCT)**

**Company Name:** .....

**Contact Name:** .....

**Daytime Telephone Number:** .....

**Email Address:** .....

.....

**Return Address:** .....

.....

**Post/Zip Code:** .....

**Country:** .....

**Suspect Fault / Description of problem:**

# Vulcan

Unit 11, Gunnels Wood Park, Stevenage, Herts SG1 2BH  
Sales@vulcanpools.co.uk www.vulcanpools.co.uk +44 (0) 1438 759192

© Copyright MANV46-EN-MINI PROPOOL UV Manual V1-29.09.2021-Vulcan