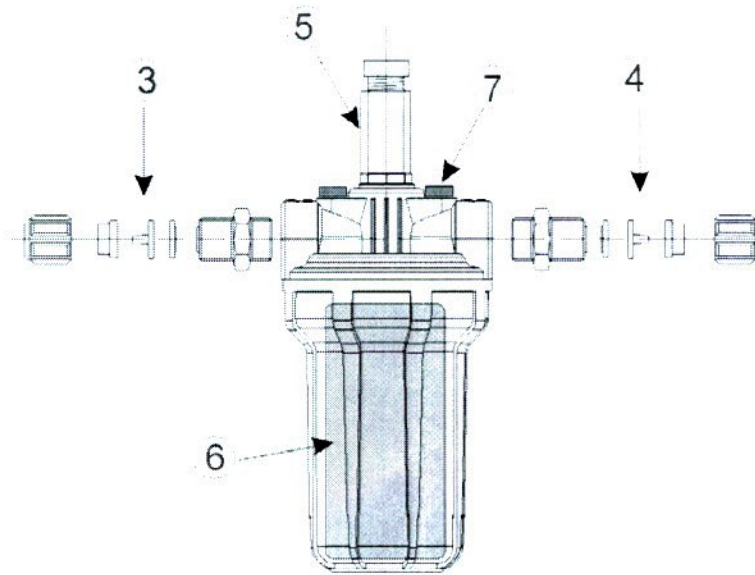


PROBE HOLDER PSS 7 (one position)



- 3) INLET 4X6 or 8x12
- 4) OUTLET 4X6 or 8x12
- 5) PROBE HOLDER pH or Redox
- 6) CARTRIDGE
- 7) BRACKET